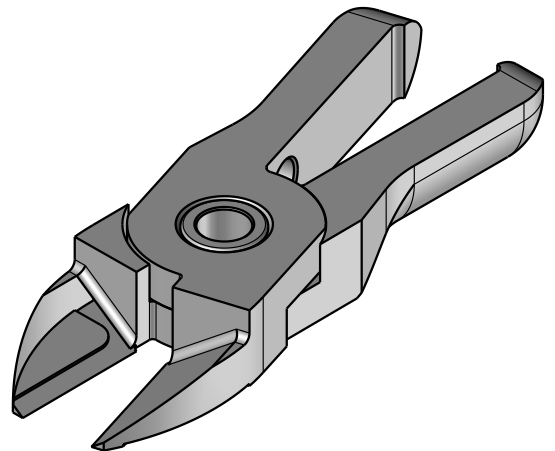
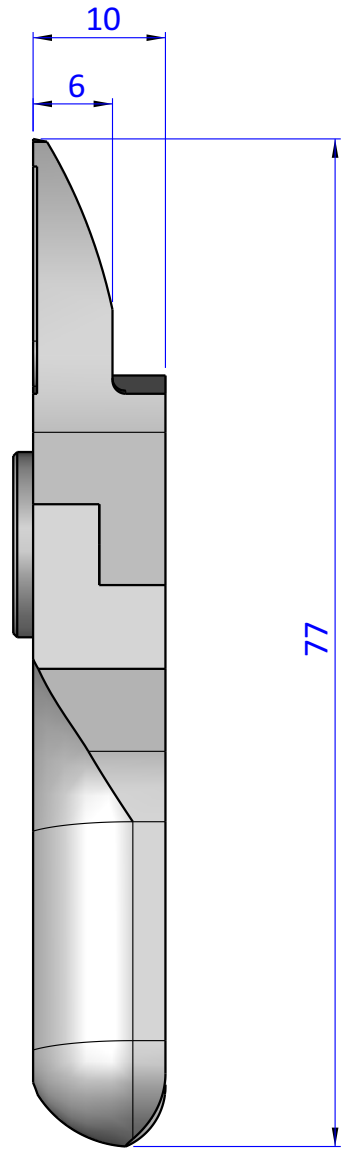
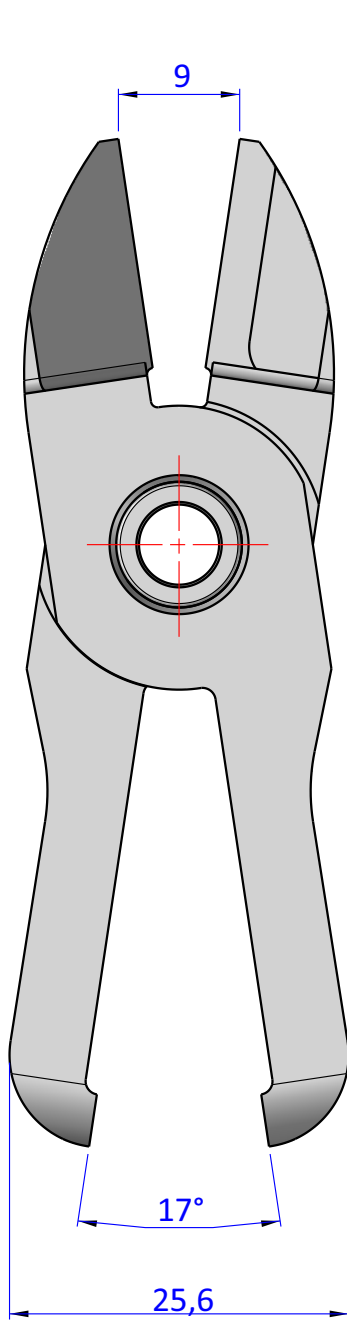


THE PROPERTY OF THE DRAWING IS ESTABLISHED BY LAW. IT IS FORBIDDEN TO PRODUCE OR SHOW IT TO THIRD PART. WITHOUT A WRITTEN AGREEMENT.



DESIGNED FROM		REVIEW
FPS Automation		A
DATE	WEIGHT	
21/10/2020	0,065kg	
CODE		
VES.NY25AJ		

Format	A4
UNI 936-76	

GENERAL TOLERANCE	DESCRIPTION
UNI - ISO 2768	VES.NY25AJ
CLASSE f	

DESCRIPTION	VES.NY25AJ
-------------	------------